

A universally compatible HMFOC for high-performance outdoor networks



## Overview

Amphenol's M-Linc Multi-fiber outdoor hardened assemblies offer pluggable flexibility where multi-fiber distribution and access are needed.

M-Linc solutions are designed for outdoor fiber access networks, integrating seamlessly with distribution points, multi-port service terminals (MST) and demarcation points. Pluggable solutions offer quick and reliable installation, helping to speed deployment and reduce installation costs in Fiber to the Home (FTTH) systems.

## Features

- MPO type connection in a sealed housing
- Threaded design enables quick connection of up to 12 fibers
- Compatible with industry-leading connector solutions, ensuring universal application
- Suitable for direct burial, conduit, or aerial installations
- Plug, in-line receptacle and bulkhead receptacle assemblies offer flexibility for pluggable access in any network design

## Applications

- Fiber to the Home (FTTH)
- Outside Plant (OSP) Networks
- Telecommunication Networks

## Benefits

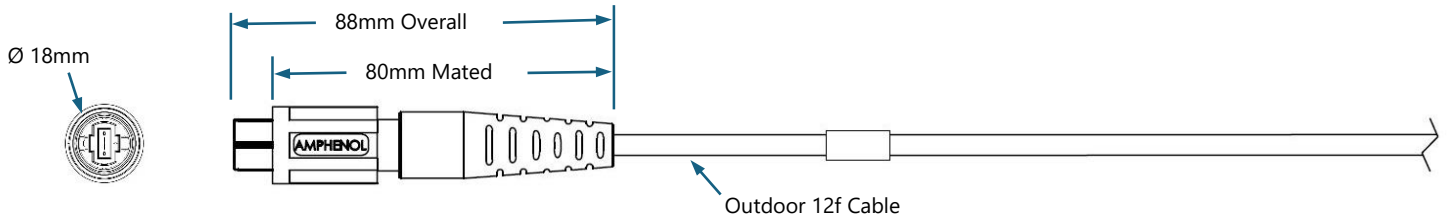
- Rapid deployment with pluggable solutions, with or without closures
- Compatible with various network designs and equipment
- Add-on where needed
- Compact and lightweight
- Supports easy network expansions

## Solutions

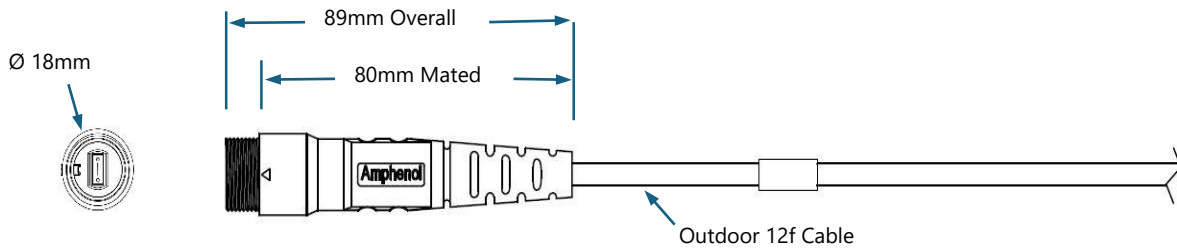
- Pigtail
- Jumper
- Breakout
- In-line
- Panel mount
- Y-Cable

## Assembly Drawing

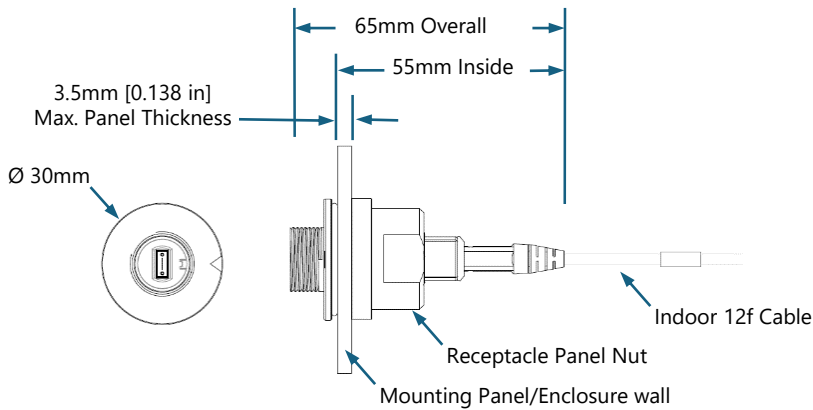
### M-Linc Plug



### M-Linc In-Line Receptacle

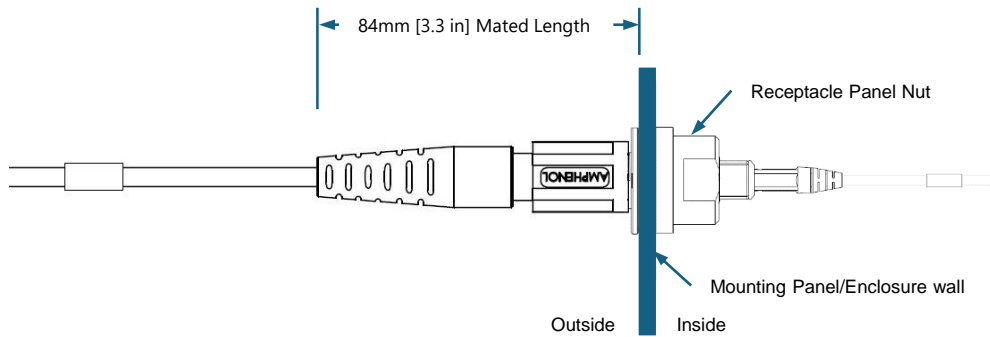


### M-Linc Bulkhead Receptacle Assembly

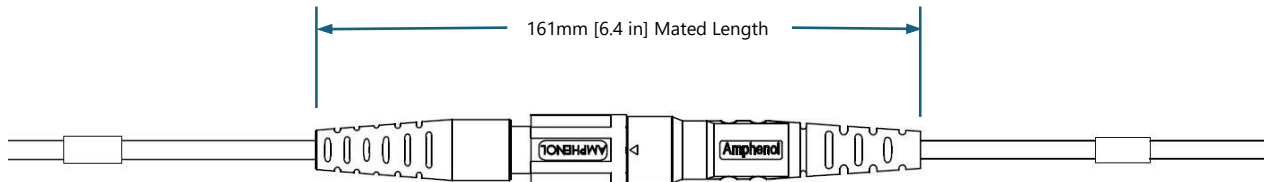


## Assembly Drawing

### Plug to Bulkhead Receptacle Assembly



### Plug to In-Line Receptacle



## Specifications

Dimension	<b>M-Linc Plug Length:</b> 87.3mm - Ferrule tip to end of boot 88.8mm - Housing tip to end of boot 102.0mm - Overall with Dust Cap installed OD: 18.0mm
	<b>M-Linc Inline Receptacle:</b> 74.4mm - Ferrule tip to end of boot 88.5mm - Housing tip to end of boot 106.1mm - With Dust Cap installed. OD: 18.0mm
Insertion Loss	≤ 0.35 dB Typical
Reflectance	≤ -65 dB Typical
Fiber Count	12
Fiber Type	Single-Mode (any grade glass)
Mating Durability	50 Cycles
Pull Force Retention	100 lbs (445N)
Cable Type	Plug and in-line receptacle : Flat Drop, 5.8mm Round Drop Bulkhead Receptacle: Indoor round 3mm or outdoor round 5.8mm

## Environmental and Industry Specifications

Ingress Protection	IP68 - 10 Feet / 7 days
Qualification	Telcordia GR-3152
Operating Temperature	-40° to +75°C

## Standard Ferrule Configuration

Plug	Not-pinned
In-Line Receptacle	Pinned
Bulkhead Receptacle	Pinned

Custom configurations available including alternate pinning, fiber type and breakout