

Indoor fiber distribution hubs for passive optical network (GPON/EPON)

CFBT Hubs (CFBT H) provide fiber distribution to up to 96 subscribers from a compact, indoor terminal. CFBT H have been designed with flexibility in mind and support fusion, pre-terminated and field terminated feed and drop fibers. These PON terminals have space for up to three 1X32 splitters for incremental growth. They are commonly mounted to an interior wall of a multi-dwelling unit (MDU) for distribution to centralized or distributed Optical Network Terminals (ONT).

CFBT H is constructed from powder-coated aluminum that is both durable and lightweight. The unit can be quickly installed by a single technician. The main entrance door is secured with a low-profile, 216-tool quarter turn lock and padlock hasp for additional access control. Both internal and external bond locations are provided.

A compact hub (CFBT HC) option is available for applications of up to 48 subscribers, ideal for small sized MDU. For larger buildings, expanded size (CFBT HX, 144 subscribers) and ultra-size (CFBT HU, 372 subscribers) hubs are available.

MARKETS SERVED:

- Telecom / FTTX
- Utility
- Wireless
- Broadband Cable



CFBT HS

FEATURES

- Three 1x32 splitter slots (CFBT HS) or two 1x32 splitter slots (CFBT HC)
- Removable splice tray basket for pre-terminated and field terminated applications
- 216-Hex ¼ turn lock and padlockable hasp option
- Durable and lightweight enclosure can be quickly installed by a single technician
- Cable entry locations are positioned at the top and bottom of the terminal, allowing flexible placement of feed and distribution cables
- Fiber bend radius controls and routing guides ensure cable management and proper slack storage
- Hinged bulkhead increases the technician's working area for greater access to the SC adapter panels
- Designed to meet or exceed GR-2898-CORE and UL 50 NEMA 12 specifications
- Riveted aluminum construction with powder-coated paint finish

APPLICATIONS

CFBT Hubs provide PON fiber distribution for up to 96 subscribers at multi-user locations, with grow-as-you-go scalability.



Garden Apartments



Low-Rise MDU

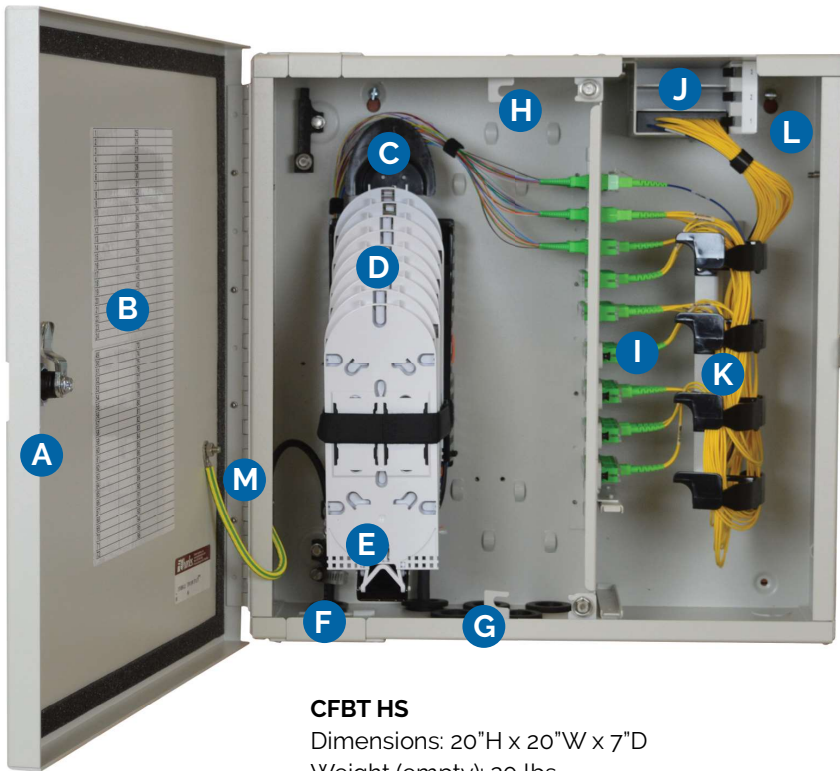


Mid-Rise MDU



High-Rise MDU

CFBT HS Product Features



- A** 216-tool hex-head quarter turn lock
- B** Fiber identification label
- C** Bend radius controls
- D** Removable splice tray basket
- E** Hinged splice trays (up to 9 tray capacity)
- F** Feed cable grommet locations (x2)
- G** Distribution cable grommet locations (x10)
- H** Hinged bulkhead (locks in two positions)
- I** Bulkhead adapters (9 rows @ 12 adapters)
- J** Three 1x32 splitter locations
- K** Fiber routing guides
- L** Cabinet mounting "keyholes" (x2)
- M** Internal and external ground lugs

CFBT HS
 Dimensions: 20"H x 20"W x 7"D
 Weight (empty): 20 lbs.

Compact (CFBT HC), Expanded (CFBT HX) and Ultra (CFBT HU)

A compact, 48 subscribers
 CFBT HC option includes 48 bulkhead adapters, two 1x32 splitter locations, and capacity for up to five hinged splice trays.

CFBT HC
 Dimensions: 18"H x 15"W x 7"D
 Weight (empty): 15 lbs.

An expanded, 144 subscribers
 CFBT HX option includes 144 bulkhead adapters, five 1x32 splitter locations, and capacity for up to 13 hinged splice trays.

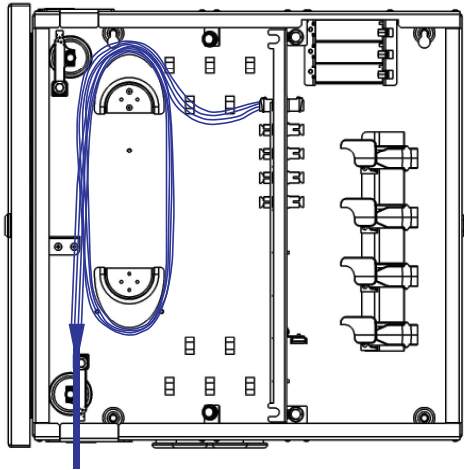
CFBT HX
 Dimensions: 22"H x 22"W x 9.5"D
 Weight (empty): 25 lbs.

The ultra accommodates 372 subscribers max, twelve 1x32 splitter locations, and capacity for up to 26 hinged splice trays.

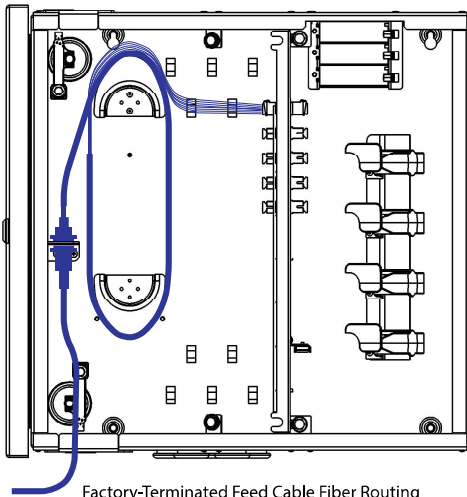
CFBT HU
 Dimensions: 41"H x 26"W x 10"D
 Weight (empty): 40 lbs.



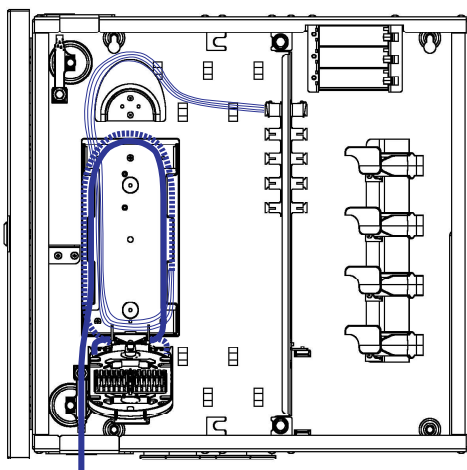
Feed Cable Termination Options



Field-Terminated Feed Cable Fiber Routing

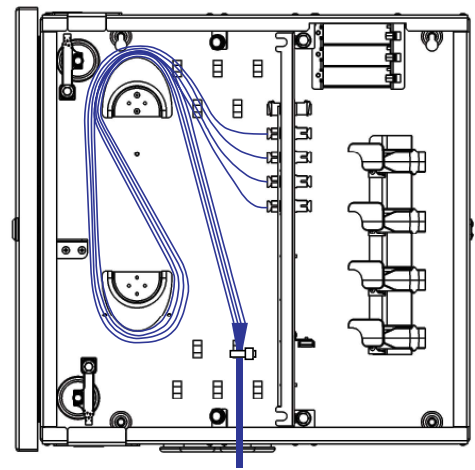


Factory-Terminated Feed Cable Fiber Routing

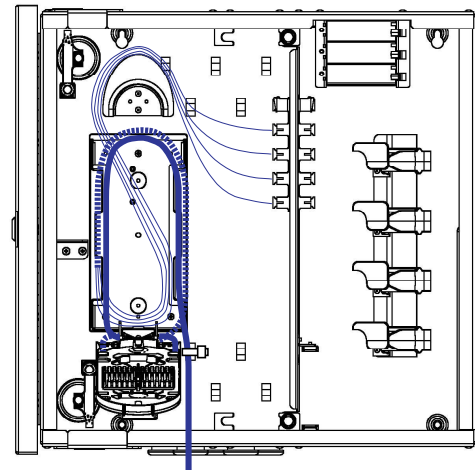


Spliced Feed Cable Fiber Routing

Drop Cable Termination Options



Field-Terminated Drop Cable Fiber Routing



Spliced Distribution Cable Fiber Routing

CFBT Ordering Information

| CFBT | | (1) Cabinet Size | | (2) Subscriber Count | | (3) Feed Fiber Mgmt. | | (4) Drop Fiber Mgmt. | | (5) Feed Adptrs Quantity | | (6) Feed Fiber Type | | (7) Drop Adptrs Quantity | | (8) Drop Fiber Type | | (9) Misc. Kits | |
|-----------|----------|------------------|-------------|----------------------|---|----------------------|---|----------------------|------------|--------------------------|---------------------------------------|---------------------|-------------|--------------------------|---------------------------------------|---------------------|------|----------------|------|
| HC | Compact | 48 | 48 Adptrs. | H | Hinged splice tray(s); (1 tray per 12 adapters) | H | Hinged splice tray(s); (1 tray per 12 adapters) | 1 | 12 Adptrs. | 0 | None | 0 | None | 0 | None | 0 | None | 0 | None |
| HS | Standard | 72 | 72 Adptrs. | M | Multi-Fiber Hardened Connector | P | Multi-Fiber MPO Bulkhead | 2 | 24 Adptrs. | R | Ribbon Fanout (ribbon to 900 micron) | 4 | 48 Adptrs. | R | Ribbon Fanout (ribbon to 900 micron) | | | | |
| HX | Expanded | 96 | 96 Adptrs. | P | Multi-Fiber MPO Connector | C | SC Connector Drop Management | 4 | 48 Adptrs. | L | Loose Tube Fanout (250 to 900 micron) | 7 | 72 Adptrs. | L | Loose Tube Fanout (250 to 900 micron) | | | | |
| HU | Ultra | 1F | 144 Adptrs. | | | | | | | M | MPO Fanout Assembly | 9 | 96 Adptrs. | M | MPO Fanout Assembly | | | | |
| | | 2G | 288 Adptrs. | | | | | | | S | Stubbed Fiber Cable | F | 144 Adptrs. | | | | | | |
| | | 2J | 372 Adptrs. | | | | | | | | | G | 288 Adptrs. | | | | | | |
| | | | | | | | | | | | | J | 372 Adptrs. | | | | | | |

- Notes:
- Maximum Subscriber Capacity: CFBT HC = 48, CFBT HS = 96, CFBT HX = 144, CFBT HU = 372
 - Feed Adapter Qty.: CFBT HC = 12, CFBT HS=12, CFBT HX=12, CFBT HU=12-48
 - Stubbed fiber cable is offered in many types and lengths. Call for details
 - Many Miscellaneous Kits are available per user specification. Call for details
- (1)
(5)
(6)
(9)

Accessories

Part Number

CFSM-FM1132AA
97-CFBTBNDNCNTRL
97-SCA12LF3M
97-SCA12RF3M
97-ADPT12PNL
97-FIBR24HTRAY

Description

1 x 32 pre-connectorized (SC/APC) splitter module, 2mm jacketed pigtailed
CFBT upgrade kit for field terminating, includes bend radius control and hardware
CFBT upgrade kit containing one 12 loose tube fiber fanout assembly, SC/APC connectors
CFBT upgrade kit containing one 12 ribbon fiber fanout assembly, SC/APC connectors
CFBT upgrade kit containing one 12 adapter panel, SC/APC adapters
Charles hinged fiber splice tray, up to 24 fusion splices



Charles 1x32 Passive Splitter Module (CFSM)

- High quality
- Low insertion loss
- Bend insensitive jacketed fiber
- Right-sized drop length for better management

Charles Industries, LLC

An Amphenol Company

1450 American Lane, 20th Floor, Schaumburg, IL 60173

✉ mktserv@charlesindustries.com

☎ (847) 806-6300

